

Tork SmartOne® Toilet Roll Dispenser (White)



Article	680000
Material	Plastic
System	T8
Height	269 mm
Width	269 mm
Depth	156 mm
Colour	White

The Tork SmartOne Toilet Roll Dispenser in Elevation Design is a modern efficient dispensing system suitable for demanding washrooms with high traffic. The sheet-by-sheet dispensing helps to reduce consumption by up to 40% when compared to traditional jumbo roll dispensers, which means more visits per roll. Tork Elevation dispensers have a functional, modern design that makes a lasting impression on your guests.



www.tork.co.uk

- Single-sheet dispensing helps to reduce consumption by up to 40%
- Hygienic because guests touch only the paper they use
- Extra-high capacity saves maintenance time and ensures that paper is always available
- A durable design with metal key and lock that protects the roll and stops theft

Shipping data

	Consumer unit	Transport unit	Pallet
EAN	7322540803853	7322540803853	7322540817874
Pieces	1	1	133
Consumer units	-	1	133
Height	279 mm	279 mm	2103 mm
Width	167 mm	167 mm	800 mm
Length	279 mm	279 mm	1200 mm
Volume	13 dm ³	13 dm ³	1.7 m ³
Net weight	770 g	0.8 kg	102.41 kg
Gross weight	977 g	1 kg	129.94 kg
Packing material	Plastic bag	Carton	-

Choose a refill that suits you

Tork SmartOne Toilet Roll Advanced 472242

Alternative products



554000



556008



555000

Contact

SCA Hygiene Products UK Ltd
 Southfields Road
 Dunstable
 Bedfordshire
 LU6 3EJ
 customer.servicesafh@sca.com
 Tel 01582 677570
 Fax 01582 677580

Tork is a brand of SCA. SCA is a leading global hygiene and forest products company that offers personal care, tissue and forest products in about 100 countries. SCA is considered a benchmark in sustainability. For more information, visit www.sca.com/uk



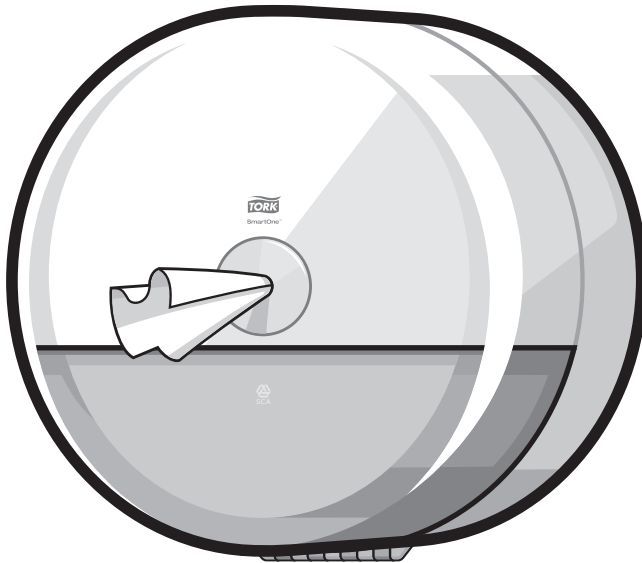
www.tork.co.uk



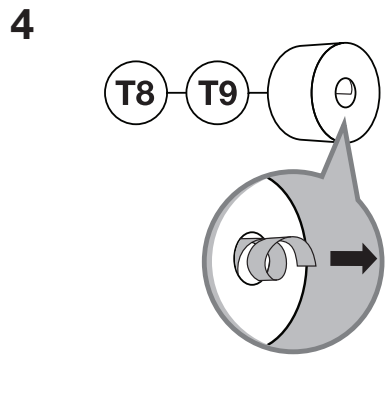
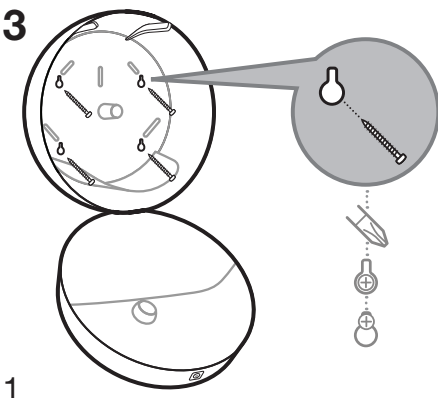
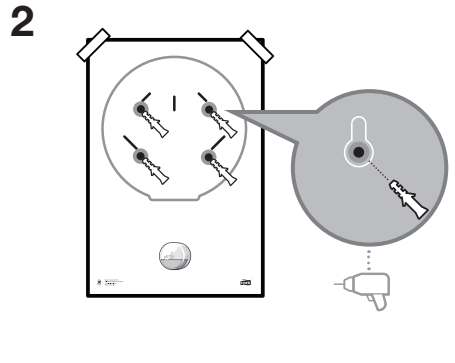
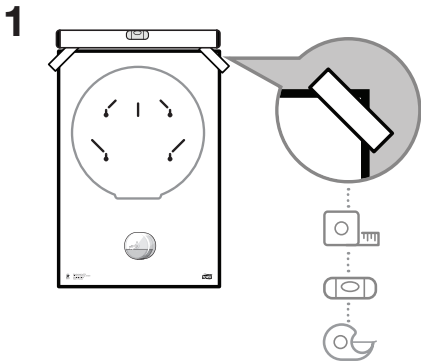
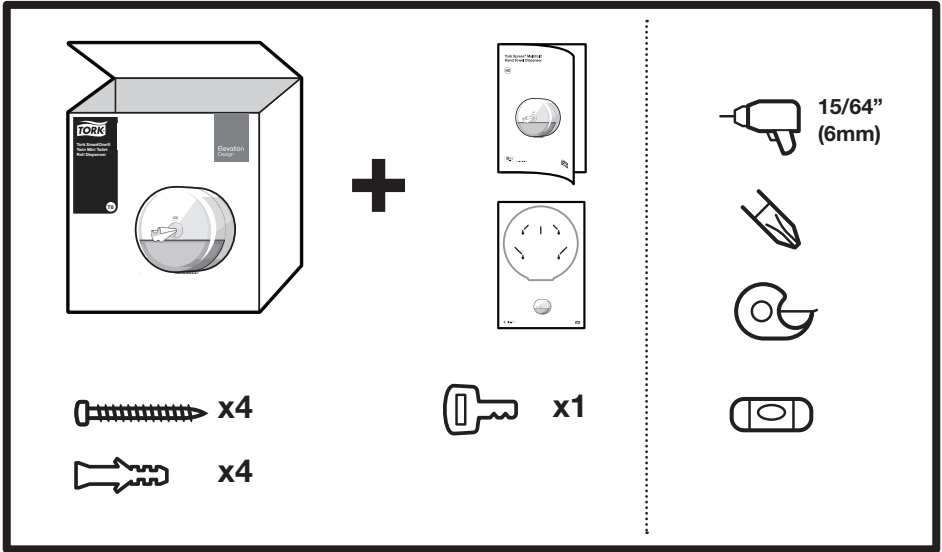
Tork SmartOne® Toilet Roll Dispenser

Tork SmartOne® Mini Toilet Roll Dispenser

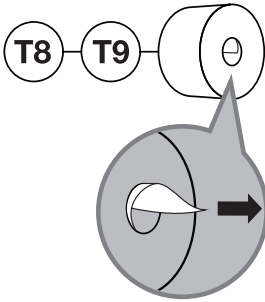
T8 T9



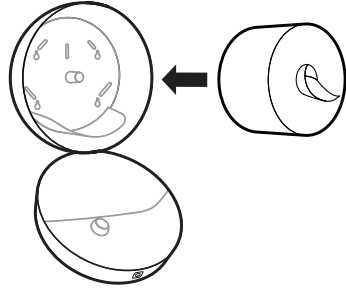
Tork SmartOne® Toilet Roll Dispenser



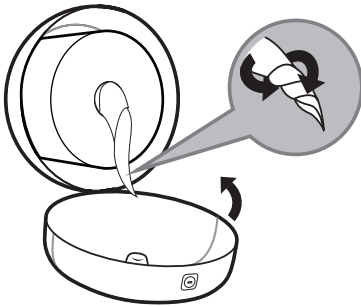
5



6



7

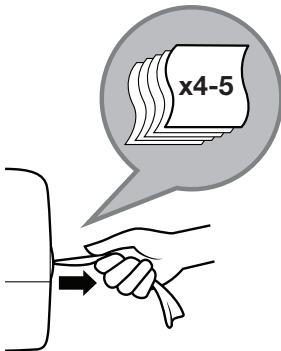


8

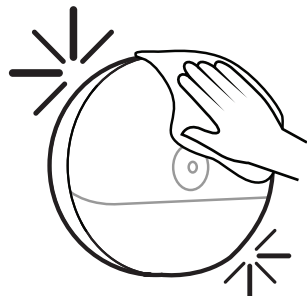
⚠ Pull tissue when closing

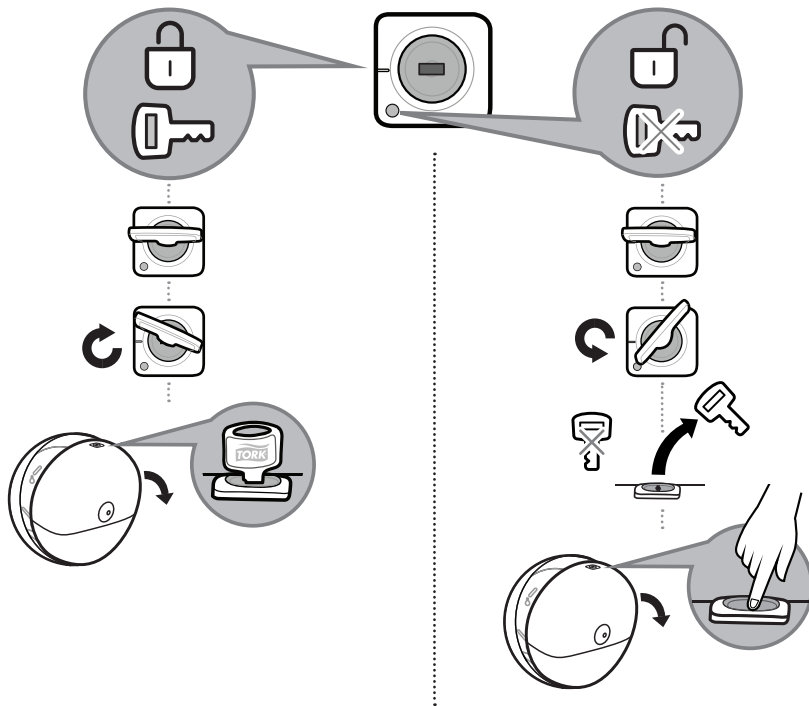


9



10





Disposal

- Damaged or malfunctioning product should be disposed of immediately to avoid potential of injury
- Products should be disposed of in accordance with applicable regulations

Cleaning instructions

- Clean dispenser with mild detergent and soft cloth

Design Application pending



Manufactured by SCA
SE-405 03 Göteborg, Sweden
www.sca-tork.com
Made in Hungary